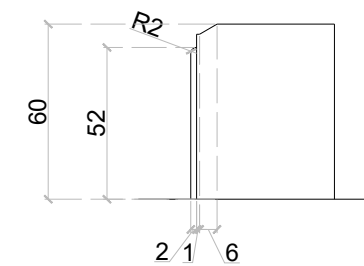
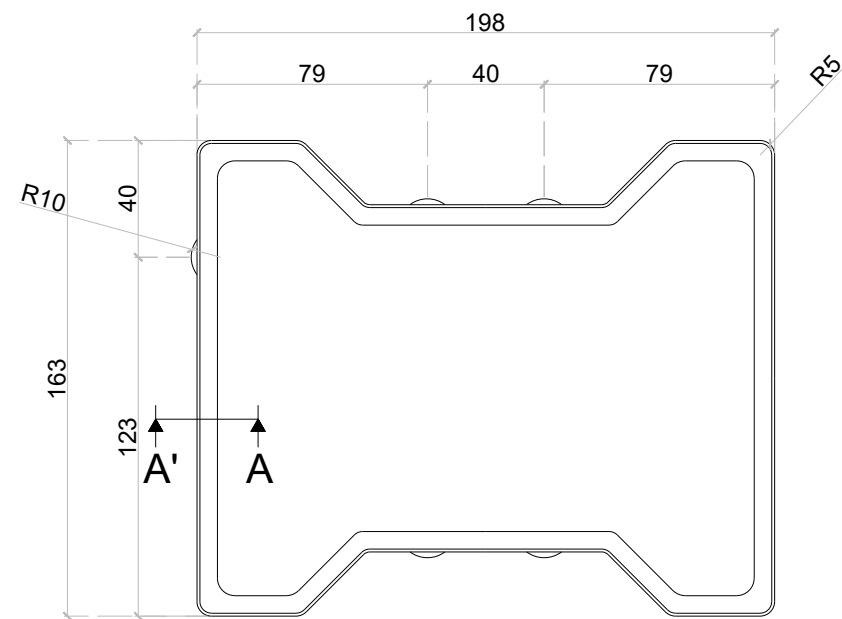


DT001

163X198X60 MM BEHATON

STONE HEIGHT

60 MM



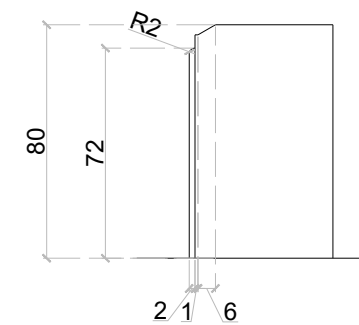
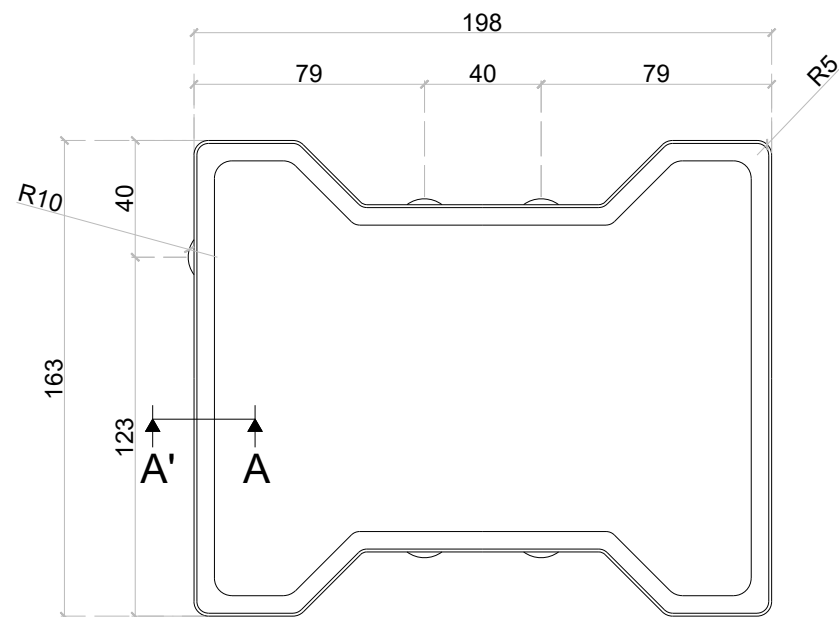
A'-A SECTION

DT002

163X198X80 MM BEHATON

STONE HEIGHT

80 MM



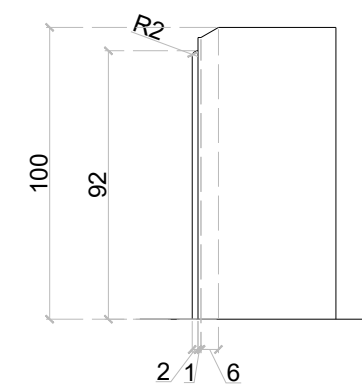
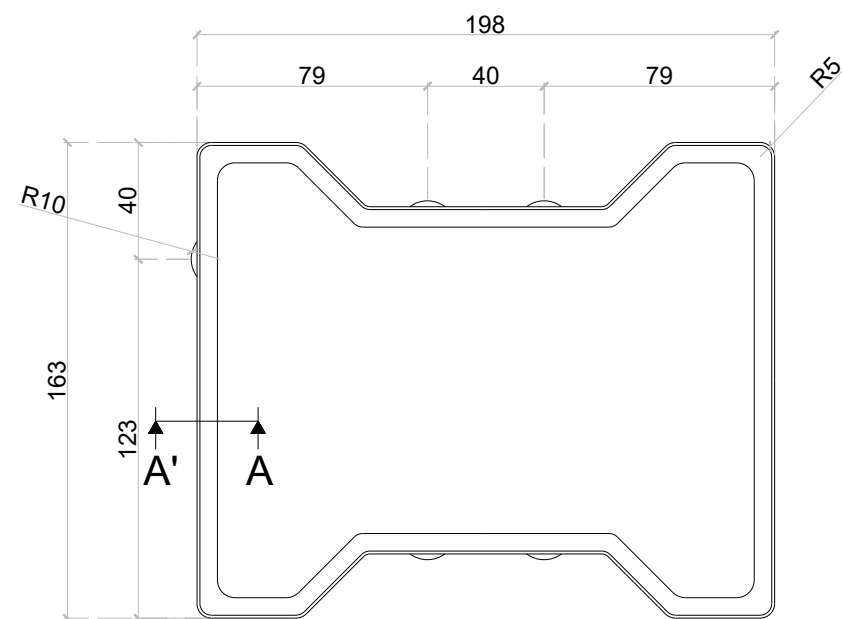
A'-A SECTION

DT003

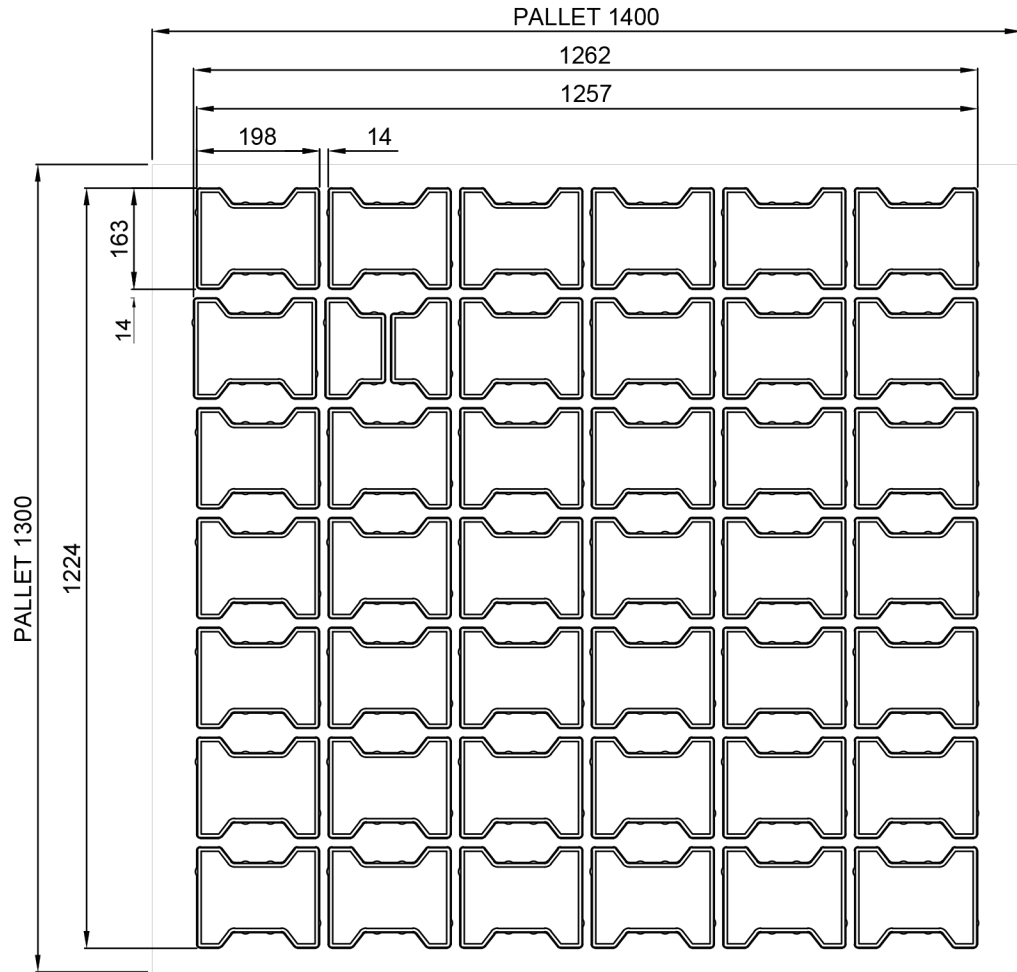
163X198X100 MM BEHATON

STONE HEIGHT

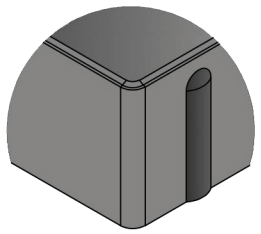
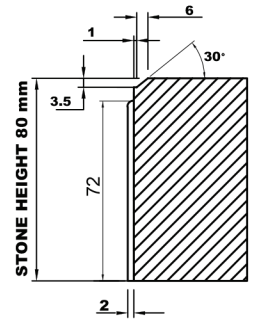
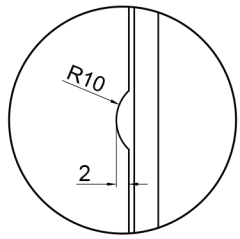
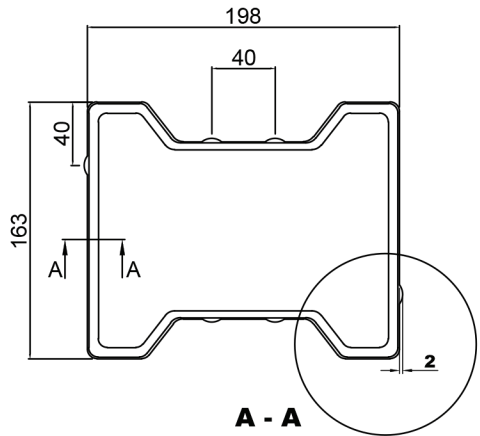
100 MM



A'-A SECTION



Filling Direction



**A - A SECTION**